



# UBA 优霸精密计量泵

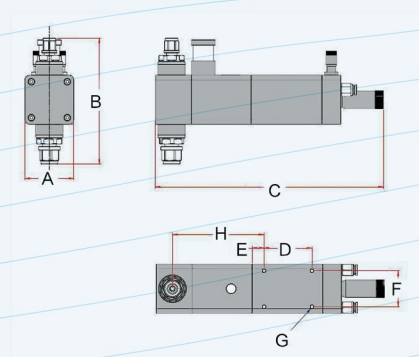


## UBA 气动单向阀泵

- P-C 系列气动单向阀型计量泵，采用精密的单向阀设计，适用于各种不含颗粒的中低粘度液体的定量注液。
- 千分尺容量微分头和整体内置配装的速度控制器，能精准控制注液量和注液速度，实现在各种条件要求下的定量注液。
- 该系列的计量泵具有极高的计量精度和重复一致性；精度优于正负千分之五。
- 标准泵型全 316 不锈钢的结构，泵的所有零件都有更好的耐腐蚀性。在实际锂离子电池注液及其它工业应用中，耐腐蚀性能优于进口的计量泵。
- P4-C 系列配备特别设计的电气联控系统，配合气控传感器，注液完成自动回程。专利设计的内置速度控制单元，整机更紧凑。可靠的气控阀，没有气阀泄漏的烦恼。

应用：电解液、电子烟油、热管超纯水、彩笔、香水、洗发水、化学液体、药液、溶剂、精油、精华液等 .....

## P1-C / P2-C 系列



型号 Model	柱塞直径 Plunger Dia	行程 Stroke	注液量范围 Dispensing Vol	循环速度 Cycle Rate	耗气量 Air Consumption	外形尺寸 (MM) Dimension (MM)								重量 (KG) Weight (KG)
	MM					ML	次 / 分钟 CCP	升 / 分钟 L/Min	A	B	C	D	E	
P1-C03	4.7	12.7	0-0.23	0-150	12.5	45	103	205	42.7	17	32	8-32	80	2.5
P1-C05	7.9		0.-0.63											
P1-C07	11.1		0-1.2											
P1-C10	15.9		0-2.5											
P2-C10	15.9	25.4	0-5.0	0-120	23.5	52	134	268	63.5	12.7	38	8-32	97	3.2
P2-C12	19.1		0-7.2											
P2-C14	22.2		0-9.8											
P2-C17	27.0		0-14.5											
P2-C20	31.8		0-20.1											

## UBA Pneumatic Check Valve Pump

The UBA Check Valve Style Dispensing Pumps are designed for dispensing low to medium viscosity liquid not containing particles.

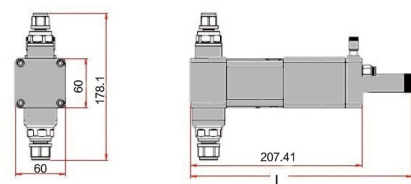
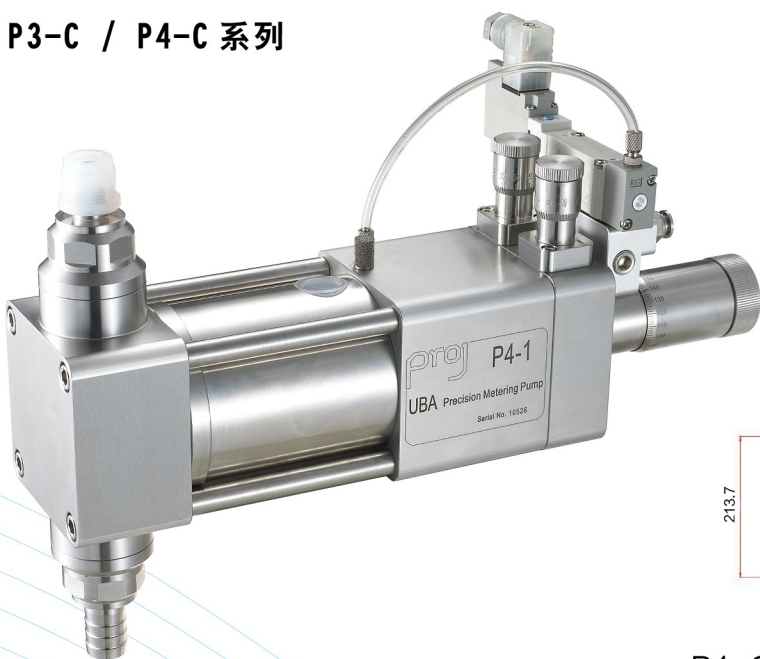
Precise micrometers volume adjustment and built-in speed control system ensures dispensing accuracy and plunger motion speed control, by which the pumps are suitable for different working condition. Typical accuracy is within  $\pm 0.5$ .

Complete 316 stainless steel pump construction. All pump parts have better rot-proof performance compare with imported pumps, especially on Li-Ion electrolyte application.

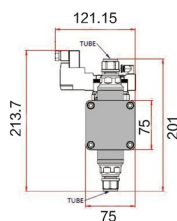
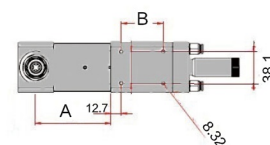
P4-C series pumps have special pneumatic-electric control unit with forward position sensor. The plunger may return automatically after complete dispensing stroke. Patent build-in speed control unit makes the pump more compact. Reliable pneumatic-electric valve ensures no leakage operation.

Application: Electrolyte, E-Cigarette Oil, Hot Pipe Water, Perfume, Pan Ink, Shampoo, Chemical Liquid, Medicine, Solvent, Essential oil and more.....

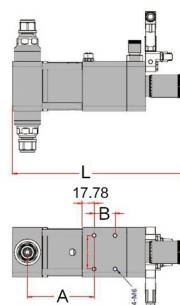
### P3-C / P4-C 系列



P3-C



P4-C



型号 Model	柱塞直径 Plunger Dia	行程 Stroke	注液量范围 Dispensing Vol	循环速度 Cycle Rate	耗气量 Air Consumption	外形尺寸 (MM) Dimension (MM)			重量 (KG) Weight (KG)
	MM					MM	ML	次 / 分钟 CCP	
P3-C20	31.8	38.1	0-30	0-70	40	125	50.8	268	5
P3-C26	41.3		0-50						
P4-1-C34	54.0	25.4	0-58	0-150	51	101	31.75	263.2	6.8
P4-2-C34	54.0	50.8	0-116	0-120	85	129.7	50.8	339.4	7.6
P4-3-C34	54.0	76.2	0-174	0-90	102	167.76	50.8	416.2	8.3
P4-4-C34	54.0	114.3	0-261	0-60	115	205.9	50.8	441.5	9.8